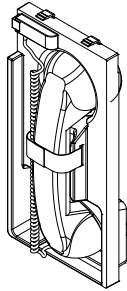


# 4-FT Firefighter Telephone Master Handset Installation Sheet



## Description

The 4-FT Firefighter Telephone Master Handset provides local telephone handset support with the following functionality:

- Communications with the 4-CPU and 4-ANNCPU via the UI rail
- Telephone handset supervision for detection of a missing handset
- Telephone handset off hook detection

## Installation

Install and wire this device in accordance with applicable national and local codes, ordinances, and regulations.

**WARNING:** Electrocutation hazard. To avoid personal injury or death from electrocution, remove all sources of power and allow stored energy to discharge before installing or removing equipment.

## Cautions

**Equipment damage.** To prevent the back of the 4-FT from contacting rail modules mounted on the chassis, do not mount the 4-FT on a UI frame assembly position that is located directly in front of a rail module.

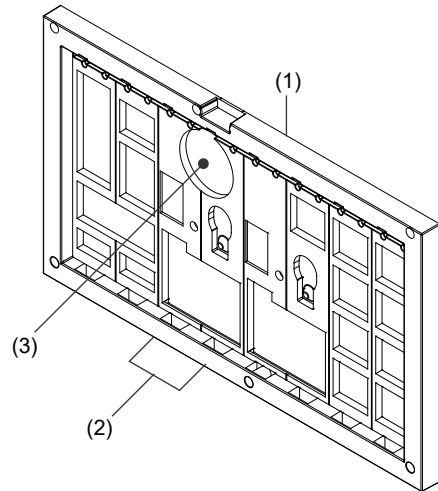
**Equipment damage.** Circuit boards are sensitive to electrostatic discharge (ESD). To avoid damage, follow ESD handling procedures.

**Note:** The 4-FT occupies two slots on the UI frame assemblies listed in Table 2. The 4-FT can *only* be installed in the position on the UI frame assembly that provides a hole for the telephone handset as shown in Figure 1. Depending on the UI frame assembly, this position will be in different locations on the UI frame assembly.

## To install the 4-FT:

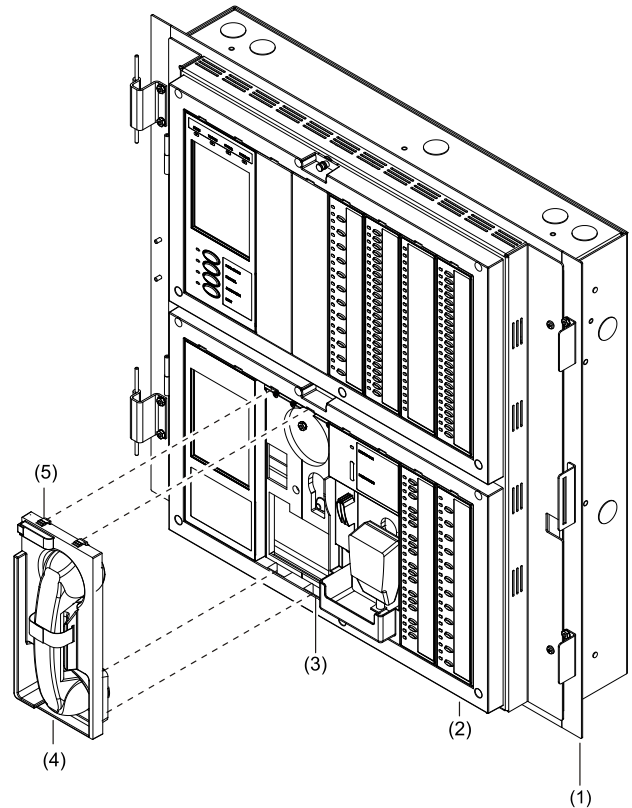
1. Insert the tabs at the bottom of the 4-FT into the slots at the bottom of the UI frame assembly.  
  
Push the top of the 4-FT toward the UI frame assembly until the two locking tabs at the top of the 4-FT lock into place on the UI frame assembly. See Figure 2.
2. For a more secure installation, install two 4-40 x 7/16 screws from the back side of the UI frame assembly into the standoffs on the back side of the 4-FT as shown in Figure 3.

Figure 1: 4-FT install location on the UI frame (8 slot UI frame shown)



- (1) UI frame assembly
- (2) Two slot location for the 4-FT
- (3) Hole to indicate position on the UI frame used to mount the 4-FT

Figure 2: Installing the 4-FT



- (1) Inner door (outer door removed for clarity)
- (2) UI frame assembly
- (3) Slots in frame bottom
- (4) 4-FT
- (5) Locking tabs



The 4-FT can be installed in the following enclosures.

**Table 1: 4-FT enclosure mounting options [1]**

Door	Available mounting spaces	Backbox
4-4ANND	4-slots	4-4ANNMT
4-6ANND	6-slots	4-6ANNMT
4-CAB8D	4-slot x 2 rows (total 8 slots)	3-CAB5B
4-CAB8D	4-slot x 2 rows (total 8 slots)	4-8ANNMT
4-CAB16D	16-slots	3-CAB7B
4-CAB24D	24-slots	3-CAB14B
4-CAB24DL	24-slots	3-CAB21B
4-CAB16D	16-slots	4-16ANNMT
4-CAB24D	24-slots	4-24ANNMT

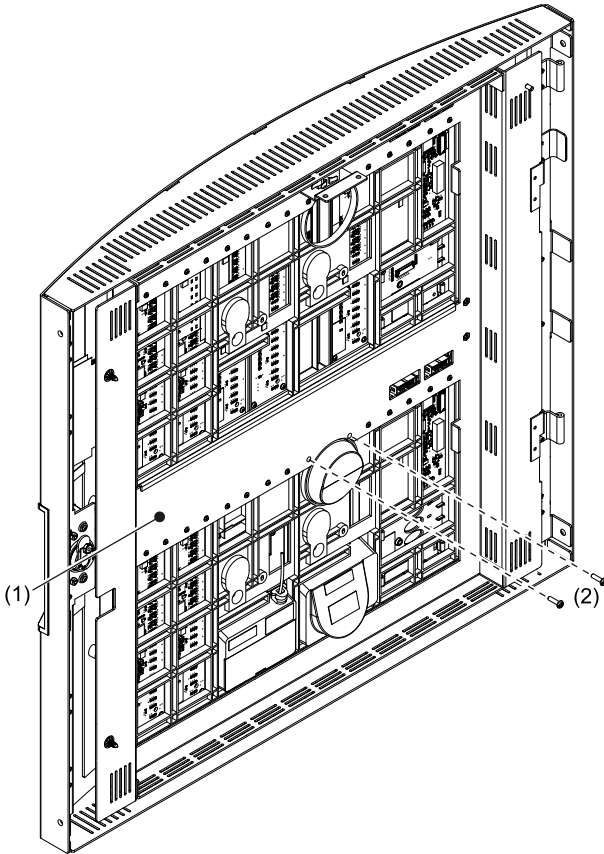
[1] Refer to Figure 1 for available mounting locations.

**To remove the 4-FT:**

1. If installed, remove the 4-40 x 7/16 screws from the back side of the UI frame assembly securing the module as shown in Figure 3.
2. Gently depress the locking tabs from the front of the module while applying pressure from the back side of the module.

Remove the 4-FT from the UI frame assembly.

**Figure 3: Securing the 4-FT (backbox removed for clarity)**



(1) Inner door back side

(2) 4-40 x 7/16 screw (2X)

## Specifications

Current	
Standby	9 mA at 24 VDC
Alarm/active	168 mA at 24 VDC
Optional telephone riser	Refer to 4-AUDTELS Audio IO and Telephone Riser Source Module Installation Sheet (P/N 3102279-EN)
Operating environment	
Temperature	32 to 120°F (0 to 49°C)
Relative humidity	0 to 93% noncondensing

## Regulatory information

FCC compliance	This device complies with part 15 of the FCC Rules. Operation is subject to the following two conditions: (1) This device may not cause harmful interference, and (2) this device must accept any interference received, including interference that may cause undesired operation.
Environmental class	UL/ULC: Indoor, Dry

## Contact information

For contact information, see [www.edwardsfiresafety.com](http://www.edwardsfiresafety.com).